

AIRCAST®

Cryo/Cuff® IC

Automatic Integrated Compression and CryoTherapy System



Innovative solutions. Proven outcomes.™

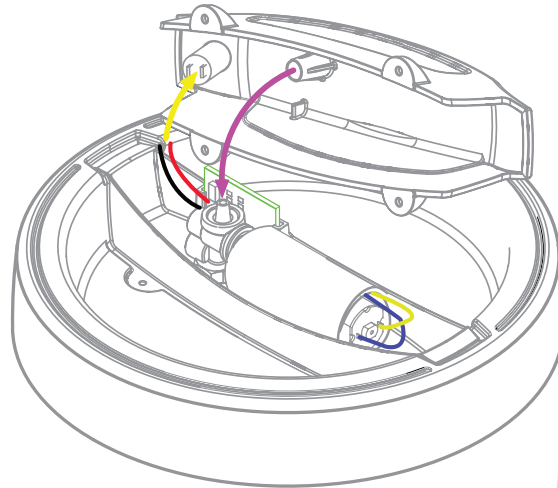
"...Hemarthrosis formation can be minimized and pain reduced by early and extended use of the cryo/cuff compression dressing."^{8,10}

Cryo/Cuff® IC

The new Cryo/Cuff IC combines focused compression with cold therapy to provide optimal control of swelling to minimize hemarthrosis, edema and pain. Simplicity of design and ease of operation makes it ideal for post-operative recovery, trauma, athletic training rooms and home use.

Features and Benefits

- **Focused compression** – The Aircast Cryo/Cuffs are anatomically designed to provide specific compression to prevent swelling and reduce pain
- **Clinical Studies** – Proves that cold and compression is effective in reducing post-operative swelling and regaining ROM
- **30 second on/off cycle** – Provides automatic intermittent compression in addition to cold therapy
- **Easy to use** – Plug it in to start the treatment



A new integrated pneumatic pump within the cooler lid provides automated compression and cold therapy.

Cyclical compression mixes chilled water inside the cuff and maintains pressure necessary to help prevent hemarthrosis and provide CryoTherapy.



References

1. Drez D, Faust DC, Evans JP: Cryotherapy and nerve Palsy. Am J Sportsmed 9: 256-257, 1981
2. Duffley H, Knight K: Ankle Compression Variability Using the Elastic Wrap, Elastic Wrap with a Horseshoe, Edema II Boot, and Air-Stirrup Brace. Athletic Training 24: 320-323, 1989
3. Effect of the Cryo/Cuff Knee Compression Dressing and an Elastic Wrap on Swelling of the Calf. Aircast Inc., 1991
4. Husni E, Ximenes J, Hamilton F: Pressure Bandaging of the Lower Extremity, Use and Abuse. JAMA 206: 2715-2718, 1968
5. Knight K: Cryotherapy, Theory, Technique and Physiology. Chattanooga Corp., 1985
6. Mindrebo N, Shelbourne KD: Knee Pressure Dressings and Their Effects on Lower Extremity Venous Capacitance and Venous Outflow. Orthopaedics International Edition 2: 3, May/June 1994
7. Schröder D, Pässler HH: Combination of cold and compression after Knee surgery. Knee Surg, Sports Traumatol, Arthroscopy 93: 1-8, 1994
8. Shelbourne KD: Post-surgical use of the Cryo/Cuff Knee Compression Dressing, Protocol. Indianapolis, Methodist Sports Medicine Center, 1989
9. Shelbourne KD, Rubinstein RA, McCarroll JR, et al: Postoperative Cryotherapy for the Knee in ACL Reconstructive Surgery Orthopaedics International Edition 2:2, March/April 1994
10. Shelbourne KD, Wilckens JH: Current Concepts in Anterior Cruciate Ligament Rehabilitation. Orthopedic Review 19: 957-964, Nov 1990

US PATENTS: 5,170,783 5,230,335 5,277,695 5,314,455 5,413,142 AND OTHER PATENTS PENDING

Rx only



DJO, LLC • 1430 Decision Street
Vista, CA 92081-8553 U.S.A.
Phone: 760.727.1280 • Toll Free: 800.526.8785
DJOglobal.com



Pads available in combos



Part number	Description
51A	Cryo/Cuff IC Cooler
51A10A	Cryo/Cuff IC w/ Ankle
51A11A	Cryo/Cuff IC w/ Knee, Med
51A11B	Cryo/Cuff IC w/ Knee, Large
51A12A	Cryo/Cuff IC w/ Shoulder
51A14A	Cryo/Cuff IC w/ Back, Hip and Rib

Also compatible with Arctic Flow pads

Part number	Description
11-1315-0	Arctic Flow, Shoulder
11-1316-0	Arctic Flow, Knee
11-1317-0	Arctic Flow, Elbow
11-1318-0	Arctic Flow, Ankle

Accessories

Part number	Description
25-4882	Cryo/Cuff IC Power Supply
25-0238	Cryo/Cuff IC Lid
2130	Tube Assembly